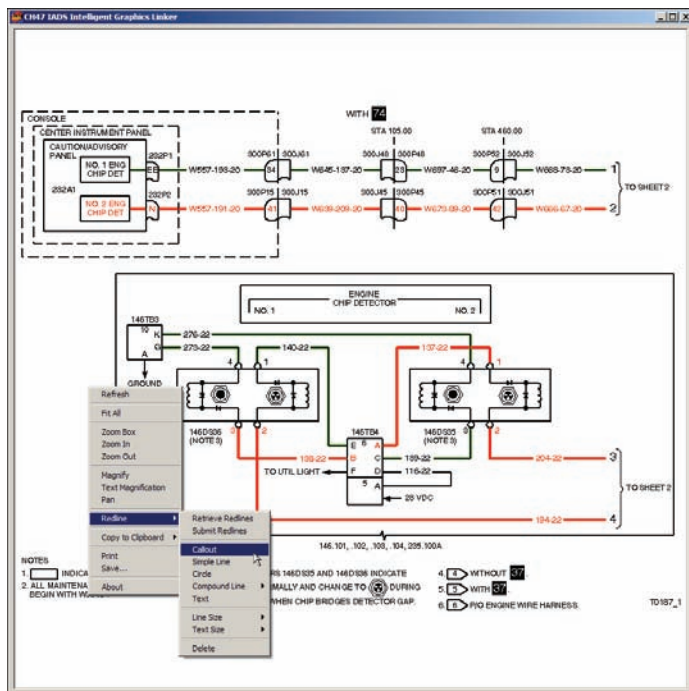
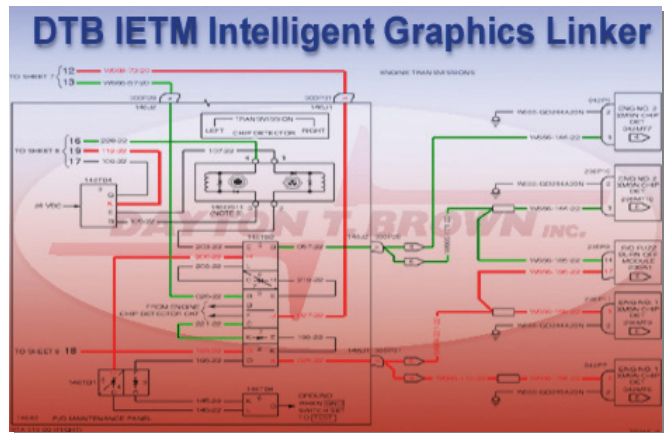




## Intelligent Graphics

Dayton T. Brown, Inc. creates technical illustrations to support paper and electronic technical manuals (IETM/IETPs), parts catalogs, wiring diagram manuals, and all other types of technical information. DTB's capability includes three-dimensional illustrations, exploded views, orthographic drawings, schematics and wiring diagrams. DTB also adds intelligence into graphics to support highlighted signal flow tracing, interactive troubleshooting, intrusive diagnostics, and e-learning applications.



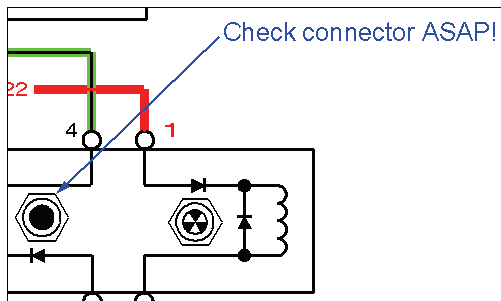
DTB's Intelligent Graphics Linker (IGL) software merges intelligent graphics with an IETM/IETP. Hotspots or hyperlinks from within the IETM/IETP go directly to a component in a drawing and highlight it. Components can include wires, electronic parts, hydraulic systems, HVAC assemblies, flowcharts, and any number of process-related diagrams. In addition, IGL allows the user to navigate among multiple sheets in a diagram without losing track of the highlighted component. Other IGL functions include: adding user callouts and text annotations, color

coding of highlighted components, saving the annotated diagram to a separate file (for e-mailing to support personnel or service engineers), printing to a network device, zooming to various levels, and image panning. IGL helps end users analyze and troubleshoot problems with a much greater degree of accuracy and efficiency.



For interactive troubleshooting IETMs, DTB has effectively converted thousands of graphic flowcharts into interactive troubleshooting sessions. Users answer a series of yes/no questions to guide them through the troubleshooting task. With IGL, the users see a link to a circuit reference in a fault isolation procedure as a “hotspot” to the wiring diagram. When they click on the link, the diagram appears with the circuit highlighted.

STEP	INDICATION
	DID ENG 1 CHIP DETR CAPSULE COME ON?
	DID NO. 2 ENGINE CHIP DETECTOR INDICATOR CHANGE TO BLACK- AND-WHITE FAN?
SET CAUTION LT TEST SW TO TEST.	DOES ENG 2 CHIP DETR CAPSULE COME ON?
DISCONNECT PLUG 300P28. FROM MAINTENANCE PNL. GROUND PLUG 300P28 PIN e.	DOES CAPSULE COME ON?
REMOVE CAUTION/ADVISORY PNL AND DISCONNECT PLUG 232P2. CHECK FOR CONTINUITY BETWEEN PLUG 232P2 PIN N AND PLUG 300P28 PIN e.	IS CONTINUITY PRESENT?
LOCATE OPEN IN WIRE W557-191-20, W639-209-20, W673-89-20 OR W666-67-20 BETWEEN PLUG 232P2 AND PLUG 300P28. REPAIR OR REPLACE WIRE AS REQUIRED.	



Users can toggle the color of the highlighted circuit (for example from red to green) as they progress through testing. They can also see representations of connectors and pins and their locations to show them where to take measurements. When finished, users simply close the diagram to continue their troubleshooting task.

Furthermore, a simple right-click of the mouse allows users to zoom in or out on the wiring diagram and to magnify portions of the page. Users can also pan, scroll, and add bookmarks, redline comments, and notes to the diagrams. Those comments and notes can be saved in a separate file for future reference. Conversely, a similar feature is available for embedding both public and private notes in frames of the IETM.

For more information or to request a quote, visit us at: <http://www.dtb-infopros.com/info-technical-graphics-01.asp>.

